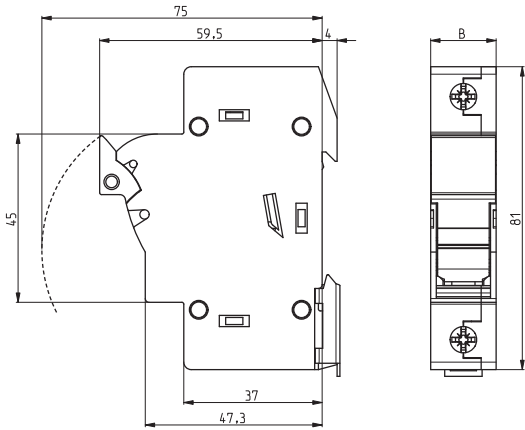


Fuse Disconnecter EFD

Type: EFD10



Fuse-switch disconnecter EFD 8, EFD 10

| type | dimension |
|----------------|-----------|
| | B |
| EFD 8, 10 1p | 17,5 |
| EFD 8, 10 1p+N | 35 |
| EFD 8, 10 2p | 35 |
| EFD 8, 10 3p | 52,5 |
| EFD 8, 10 3p+N | 70 |

Technical data EFD10

| Fuse type | EFD 8 | EFD 10 | |
|-------------------------------------------------------------------------------------------|------------------------------------------------|---------------------|----------------|
| | CH 8x32 | CH 10x38 | UL |
| IEC | IEC | IEC | UL |
| Versions | Without indicator/LED indicator/NEON indicator | | |
| Number of poles | 1p, 1p+N, 2p, 3p, 3p+N | | |
| Rated operational voltage Ue | 400V a.c. | 690V a.c. | 600V a.c./d.c. |
| Rated operational current Ie | 20A | 32A | 30A |
| Maximum rated current of fuses links | 690V | 10A gG | |
| | 500V | 25A gG 16A aM | |
| | 400V | 20A gG 10A aM | 32A gG |
| Rated frequency | 50Hz | 50Hz | 60Hz |
| Rated short-time withstand current Icw | 240A | 300A/1s | |
| Conventional free air thermal current Ith | | | |
| Rated conditional short-circuit current | 50kA | 100kA/400V | 100kA |
| Rated insulation voltage Ui | 400V | 690V | |
| Rated imp. withstand voltage Uimp | 8kV | 8kV | |
| Overvoltage category (according to Table H.1 in IEC 60947-1 and according to IEC 60099-1) | III | | |
| Max power dissipation of the fuse-link (W) | gG: 2,5W aM: 0,9W | gG: 3W aM: 1,2W | |
| LED indicator operating range | 50V-690V a.c. | | |
| NEON indicator operating range | 100V-750V a.c. | 100V-750V a.c. | |
| Utilization category | AC-22B | | |
| Operational performance (cycles with current) | 300 | 300 | |
| Operational performance (cycles without current) | 1700 | 1700 | |
| Humidity | | | |
| Operating ambient temperature | -5°C ... +40°C | | |
| Store ambient temperature | -25°C ... +55°C | | |
| Degree of protection (IEC 60529) | IP 20 | | |
| Terminal capacity | 1-25mm ² | 1-25mm ² | |
| Screw | PZ M5 | PZ M5 | PZ M5 |
| Torque | 2Nm | 2Nm | |
| Mounting on EN 60715 rail | | | |
| Sealing possibility | | | |
| Standards - fuse links | IEC/EN 60269-2 | IEC/EN 60269-2 | IEC/EN 60269-2 |
| Standards - Fuse-switch disconnectors/fuse holders | IEC 60947-1 IEC 60947-3 | | |
| Test reports | CCA/CB | CCA/CB | UL |
| Certificates | UR _{us} | | |



| | | |
|-------------------------------------------------------------|--------------|---------------------------|
| Dokument/document | | Utgava datum/edition date |
| Försäkran om överensstämmelse/ Declaration of conformity | | 29/06/2016 |
| Avdelning/department Kvalite/Quality | | |
| Ansvarig/prepared Magnus Arvidsson | Version 5 | Sida/page 1 av/of 1 |

Supplier/Tillverkare:

GARO AB
Box 203
S-335 25 GNOSJO
Sweden

Telephone: +46 (0)370 33 28 00
Telefax: +46 (0)370 33 28 50

Supplier established within EU/Ombud etablerad inom EG

Supplier of equipment /Materielslag : Høug'F kœqppgeV

Trade Mark/ Varumärke: GARO

Type Designation / Typbeteckning: GHF .

We hereby declare that our product fulfils the requirements of following EC directives/
Vi intygar härmed att vår produkt uppfyller krav enligt följande EU direktiv:

- The Low Voltage Directive (LVD) 2014/35/EU / Lågspänningsdirektivet (LVD) 2014/35/EU.
- Electromagnetic compatibility (EMC) 2004/108/EU / Elektromagnetisk kompatibilitet (EMC) 2004/ 108/EG.
- RoHS Directive (RoHS) 2011/65/EU / RoHS direktivet (RoHS) 2011/65/EG.
- No electromagnetic compatibility (EMC) immunity or emission tests are required on the assembly/
Produkten innehåller inte elektroniska apparater som påverkas enligt förbehållen enligt direktivet
(EMC) 2004/108/EG.

The following harmonised standards (latest edition) or technical specifications which comply with good engineering practice in safety matters in force within the EU have been used in the design: /

Följande harmoniserade standarder (senaste utgåva) eller tekniska specifikationer som uppfyller god säkerhetsteknik praxis inom EG har använts i konstruktionen: EN 62; 69-1.'GP '82; 69/5

- The equipment conforms completely with the above stated harmonised standards or technical specifications. /
Materielen överensstammer helt med ovan angivna harmoniserade standarder eller tekniska specifikationer.

Or/eller

- The equipment confirms only partially with the above stated harmonised standards or technical specifications but complies with good practice in safety matters in force within the EU. /
Materielen överensstammer endast delvis med ovan angivna harmoniserade standarder eller tekniska specifikationer, men uppfyller god säkerhetsteknik praxis inom EG.

We have product surveillance according to CENELEC's harmonised requirements, documents CCA-201.

Garo AB
Company/Företag

2016-06-29
Date/Datum

Sign/Underskrift

Environmental- and Quality Manager/Kvalitets- och Miljöchef
Position/Befattning

Magnus Arvidsson
Name / Namnförtydligande